

## MBB-72M-166

## 440-455 Watt

### MONO-FACIAL MODULE

### P-Type

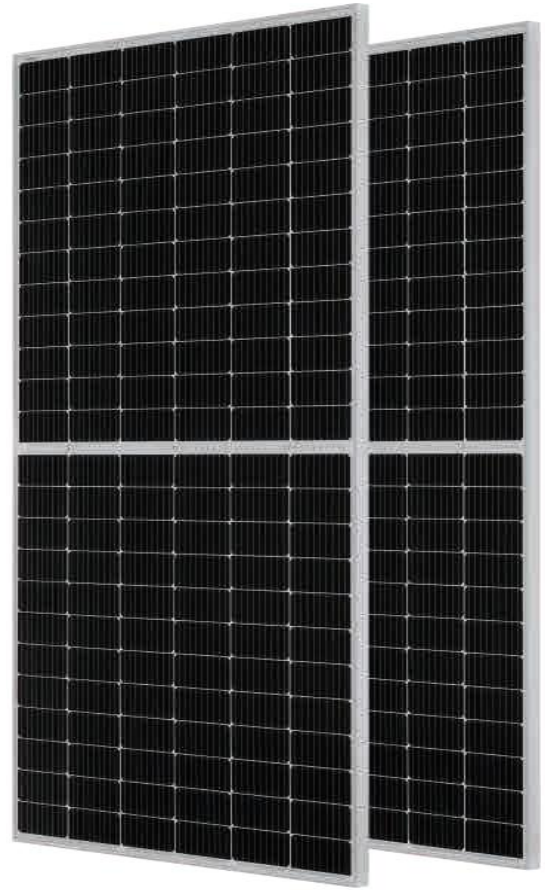
Positive power tolerance of 0~+3%

IEC 61215, IEC 61730

ISO 9001:2015: Quality Management System

ISO14001:2015: Environment Management System

ISO45001:2018: Occupational health and safety management systems



## Key Features



### Multi Busbar Technology

Better light trapping and current collection to improve module power output and reliability.



### Reduced Hot Spot Loss

Optimized electrical design and lower operating current for reduced hot spot loss and better temperature coefficient.



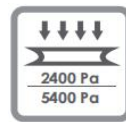
### Longer Life-time Power Yield

0.55% annual power degradation and 25 year linear power warranty.



### Durability Against Extreme Environmental Conditions

High salt mist and ammonia resistance.

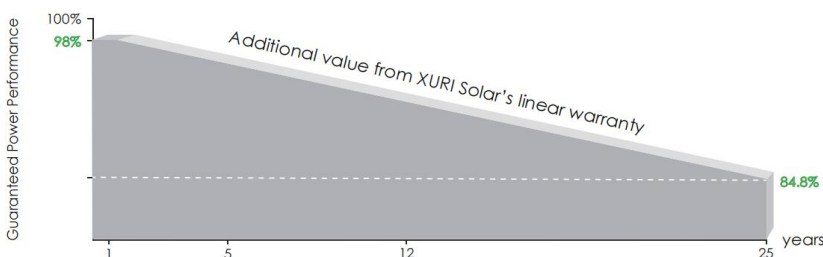


### Enhanced Mechanical Load

Certified to withstand: wind load (2400 Pascal) and snow load (5400 Pascal).



## LINEAR PERFORMANCE WARRANTY

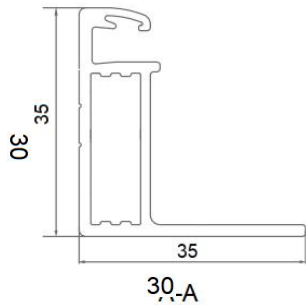
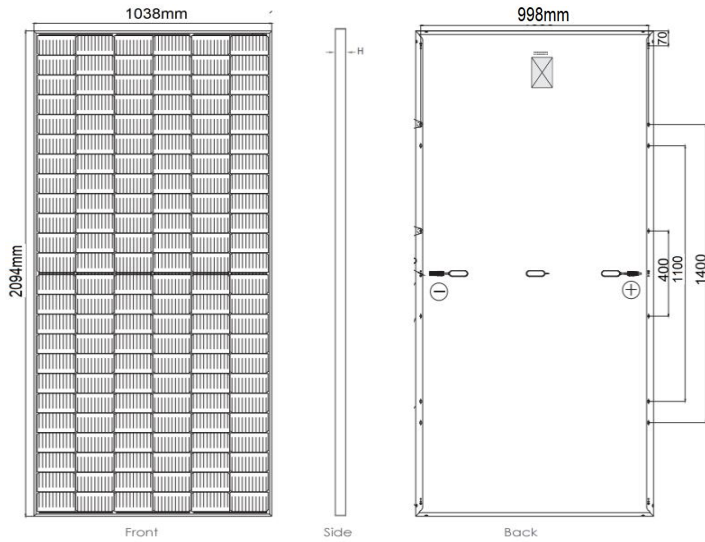


12 Year Product Warranty

25 Year Linear Power Warranty

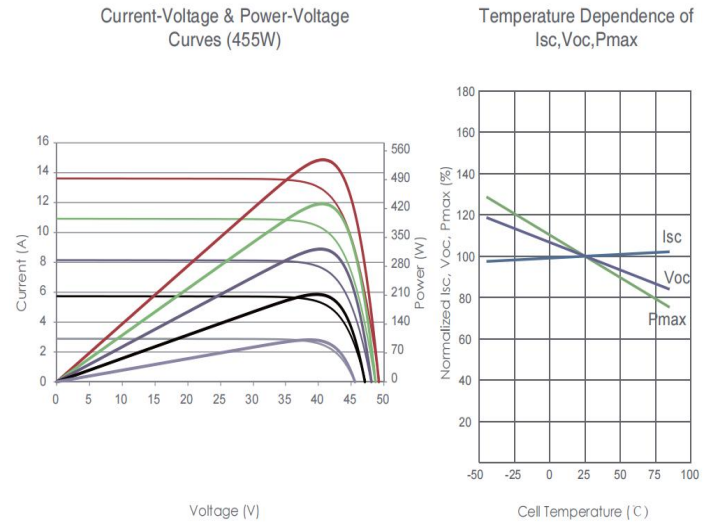
0.55% Annual Degradation Over 25 years

# Engineering Drawings



Length:  $\pm 2$ mm  
Width:  $\pm 2$ mm  
Height:  $\pm 1$ mm  
Row Pitch:  $\pm 2$ mm

# Electrical Performance & Temperature Dependence



## Mechanical Characteristics

Cell Type:	P type Mono-crystalline 166X83mm
No. of Cells:	144 (6×24)Pcs
Dimensions:	2094x1038x30mm
Weight:	23.5Kg
Front Glass:	3.2mm, Anti-Reflection Coating
Frame:	Anodized Aluminium Alloy
Junction Box:	IP68 Rated

Output Cables: 4mm<sup>2</sup>(TUV) Length:(+)300mm, (-)300mm or Customized Length

## Packaging Configuration

( Two pallets = One stack )

Packaging Configuration : 72pcs / box, 792pcs / 40'HQ Container

## SPECIFICATIONS

Module Type	XRM440W-72-166		XRM445W-72-166		XRM450W-72-166		XRM455W-72-166	
	STC	NMOT	STC	NMOT	STC	NMOT	STC	NMOT
Maximum Power (Pmax)	440Wp	327Wp	445Wp	331Wp	450Wp	335Wp	455Wp	339Wp
Maximum Power Voltage (Vmp)	40.97V	37.89V	41.17V	38.10V	41.37V	38.31V	41.56V	38.47V
Maximum Power Current (Imp)	10.74A	8.64A	10.81A	8.69A	10.88A	8.74A	10.95A	8.81A
Open-circuit Voltage (Voc)	48.87V	46.03V	49.07V	46.32V	49.27V	46.41V	49.46V	46.59V
Short-circuit Current (Isc)	11.39A	9.21A	11.46A	9.26A	11.53A	9.31A	11.60A	9.37A
Module Efficiency STC (%)	20.25%		20.48%		20.71%		20.94%	
Operating Temperature( °C)	-40°C~+85°C							
Maximum system voltage	1000/1500VDC (IEC)							
Maximum series fuse rating	25A							
Power tolerance	0~+3%							
Temperature coefficients of Pmax	-0.35% /°C							
Temperature coefficients of Voc	-0.28% /°C							
Temperature coefficients of Isc	0.048% /°C							
Nominal operating cell temperature (NOCT)	45±2 °C							

\*STC: Irradiance 1000W/m<sup>2</sup>, module temperature 25°C, AM=1.5

\*NMOT: Irradiance 800W/m<sup>2</sup>, ambient temperature 20°C, wind speed 1 m/s

Jiaxing Xuri Solar Technology Co.,Ltd.

Email:xyj@xurisolar.com

Add:V15 NO.500 KANGHE ROAD,XIUZHOU DISTRICT, JIAXING CITY,ZHEJIANG PROVINCE CHINA

Specific ations included in this datasheet are subject to change without notice.

Tel:+86 573 83312838

Web:www.xurisolar.com

**XRM440-455W-72-166**